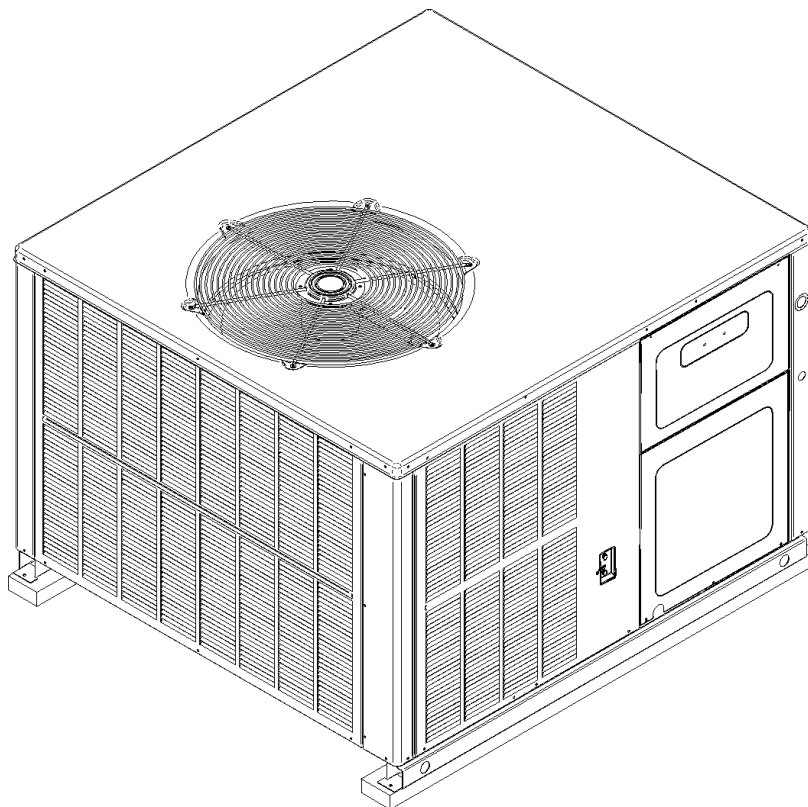


REPAIR PARTS

GPH13 "M" Series Horizontal Package Heat Pumps

GPH1324M41AA
GPH1330M41AA
GPH1336M41AA
GPH1342M41AA
GPH1348M41AA
GPH1360M41AA



This manual is to be used by qualified technicians only.

© 2009 Goodman Manufacturing Company, L.P. ♦ 5151 San Felipe, Suite 500 ♦ Houston, TX 77056

Important Information

Index

Functional Parts List	3
Illustration and Parts	4 - 11

Views shown are for parts illustrations only, not servicing procedures.

This system uses R410A refrigerant. If sealed system work is required, use approved equipment and follow service procedures. Refer to Service Manual or Installation Instructions for service procedures.

Text Codes:

AR - As Required

NA - Not Available

NS - Not Shown

00000000 - See Note

QTY - Quantity Example (QTY 3) (If Quantity not shown, Quantity = 1)

M - Model Example (M1) (If M Code not shown, then part is used on all Models)

Expanded Model Nomenclature:

Example M1 - Model#1 M2 - Model#2 M3 - Model#3

Goodman Manufacturing Company, L.P. is not responsible for personal injury or property damage resulting from improper service. Review all service information before beginning repairs.

Warranty service must be performed by an authorized technician, using authorized factory parts. If service is required after the warranty expires, Goodman Manufacturing Company, L.P. also recommends contacting an authorized technician and using authorized factory parts.

Goodman Manufacturing Company, L.P. reserves the right to discontinue, or change at any time, specifications or designs without notice or without incurring obligations.

For assistance within the U.S.A. contact:
Consumer Affairs Department
Goodman Manufacturing Company, L.P.
7401 Security Way
Houston, Texas 77040
877-254-4729-Telephone
713-863-2382-Facsimile

For assistance outside the U.S.A. contact:
International Division
Goodman Manufacturing Company, L.P.
7401 Security Way
Houston, Texas 77040
713-861-2500-Telephone
713-863-2382-Facsimile

Functional Parts

Part

No: Description:

Expanded Model Nomenclature

0130M00014	240 VOLT RELAY (M1, M2, M3, M4)
0231K00044	BLOWER MOTOR 1 HP PROGRAMMED X13 (M6)
0131M00062	BLOWER MOTOR 1/3 HP, 3 SP, 6 PL (M2)
11091203S	BLOWER MOTOR 1/3 HP, 3 SP, 6 PL (M3, M4)
11091207S	BLOWER MOTOR 1/4 HP, 3 SP, 8 PL (M1)
0231K00043	BLOWER MOTOR 3/4 HP PROGRAMMED X13 (M5)
PCBFM131	BOARD, ELECTRONIC BLOWER TIME DELAY RELAY (M1, M2, M3, M4)
CAP050450440RTS	CAP, 5/45 MFD/440V/DUAL RD (M3, M4)
CAP100000370VAS	CAPACITOR 10/370V [BLOWER] (M1, M2, M3, M4)
CAP050400440RTS	CAPACITOR 5/40/440V (M1)
CAP050450440RTS	CAPACITOR 5/45/440V (M2)
CAP050700440RTS	CAPACITOR 5/70 MFD/440V/DUAL RD (M5, M6)
ZP28K5EPFV130	COMP, 28000, 208/230/60/1 (M2)
ZP42K5EPFV130	COMP, 42000, 208/230/60/1 (M5)
ZP21K5EPFV830	COMP, 21300, 208/230/60/1 (M1)
ZP31K5EPFV830	COMPRESSOR 31100, 208/230/60/1 (M3)
ZP36K5EPFV830	COMPRESSOR 36200, 208/230/60/1 (M4)
ZP51K5EPFV830	COMPRESSOR 51000, 208/230/60/1 (M6)
0131M00007PS	COND MOTOR 1/4 HP, 1 SP, 6 PL (M4, M5, M6)
CONT2P025024VS	CONTACTOR 25 AMP, 2P, 24V (M1, M2)
CONT2P025024VS	CONTACTOR 25 AMP, 2P, 24V (M3, M4)
CONT2P040024VS	CONTACTOR 40 AMP, 2P, 24V (M5, M6)
0130M00018S	CUT-OUT SWITCH, HIGH PRESSURE
0230G00002	CUT-OUT SWITCH, LOW PRESSURE
PCBDM130	DEFROST CONTROL BOARD
0130M00057	DEFROST THERMOSTAT (M1, M2)
0130M00009P	DEFROST THERMOSTAT OPEN 60°, CLOSE 34° (M3, M4, M5, M6)
0131M00061S	MOTOR, 1/4HP, 1SP, 8PL (M1, M2, M3)
B1141643	TRANSFORMER 208/230, 24V

M1 - GPH1324M41AA
M2 - GPH1330M41AA
M3 - GPH1336M41AA
M4 - GPH1342M41AA
M5 - GPH1348M41AA
M6 - GPH1360M41AA

SPECIAL PARTS

IO-356	I&O
IO-673A	SUPP TO HKR KIT INSTALL INSTR
B1757910	SUPPLEMENTAL INSERT (EBTDR)

Cabinet Assembly

Image 1

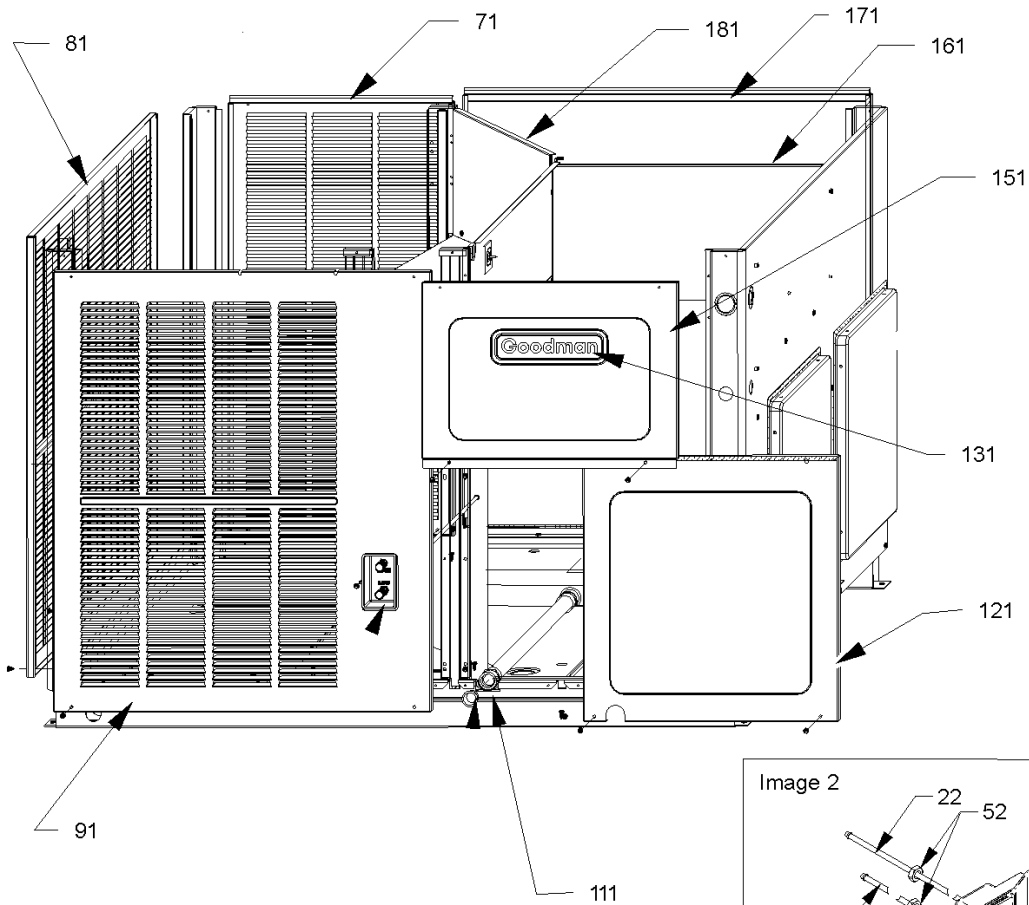
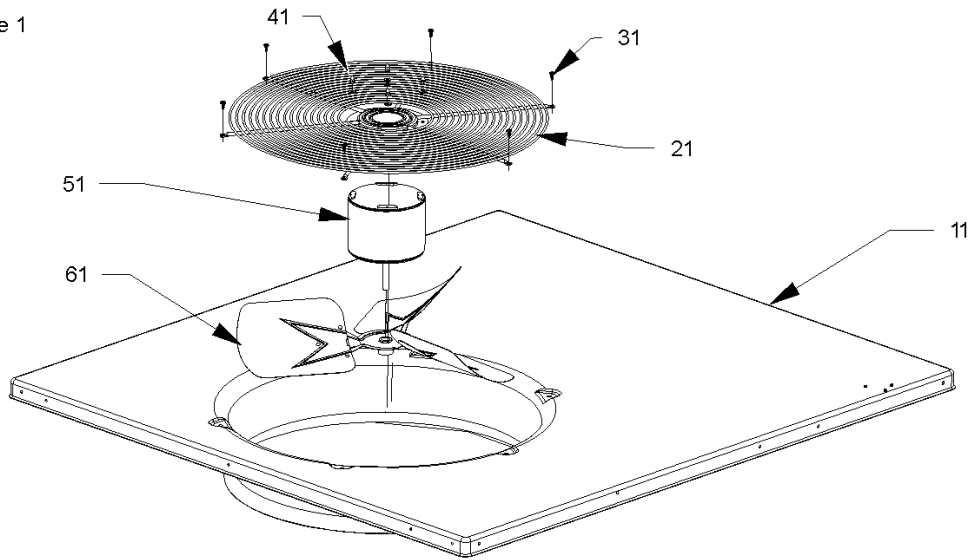
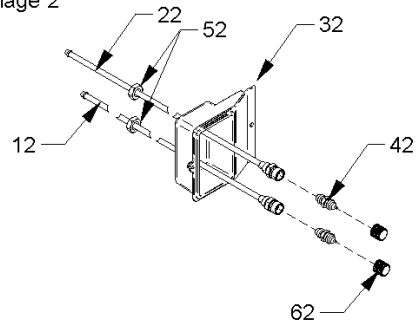


Image 2



Cabinet Assembly

Ref. Part No:	Ref. Part No:	Description:	Description:
---------------	---------------	--------------	--------------

Image 1:

11	20466001PDGS	TOP PANEL
21	0152G00002S	FAN GRILLE (M1, M2)
21	0152G00000S	RAISED FAN GRILLE (M3, M4, M5, M6)
31	M0221817	SMALL SCREW (QTY 6)
41	0163M00006P	ACORN NUT 5/16 HEX BLACK (QTY 4)
51	0131M00007PS	COND MOTOR 1/4 HP, 1 SP, 6 PL (M4, M5, M6)
51	0131M00061S	MOTOR, 1/4HP, 1SP, 8PL (M1, M2, M3)
61	0150M00011	BLADE, FAN, SWEPT WING (M6)
61	0150M00008S	FAN BLADE 22" TNT2203-25 (M1, M2, M3)
61	0150G00002S	FAN BLADE SWEPT-WING (M4, M5)
61	B1086765S	FAN BLADE TYPE 3 (M3)
71	20467701PDGS	LOUVERED PANEL, COND SIDE 32" (M1, M2, M3, M4)
71	20467702PDGS	LOUVERED PANEL, COND SIDE 40" (M5, M6)
81	20464401PDGS	LOUVERED PANEL, COND SIDE 32" (M1, M2, M3, M4)
81	20464402PDGS	LOUVERED PANEL, COND SIDE 40" (M5, M6)
81	0121G00145PDG	LVR, COMP, 2BANK, CNVRT, 40" (M5)
91	0121G00146PDG	LOUVERED PANEL 4 BANK 32.5", COMP SIDE (M1, M2, M3, M4)
91	0121G00147PDG	LOUVERED PANEL 4 BANK 40", COMP SIDE (M6)
111	0261G00000	DRAIN PIPE
121	0260G00023PS	INSULATED ASSY, BLOWER PANEL 32.5" (M1, M2, M3, M4)
121	0260G00024PS	INSULATED ASSY, BLOWER PANEL 40" (M5, M6)
151	0121G00213DGS	CONTROL BOX PANEL
161	0270G00158	EVAP BLOCK OFF ASSY (M1, M2, M3)
161	0260G00034S	INSULATED ASSY, EVAP BLOCK-OFF 32" (M1, M2, M3, M4)
161	0260G00035S	INSULATED ASSY, EVAP BLOCK-OFF 40" (M5, M6)
171	0260G00025PS	INSULATED ASSY, BLOWER PANEL 32.5" (M1, M2, M3, M4)
171	0260G00026PS	INSULATED ASSY, BLOWER PANEL 40" (M5, M6)
NS	0210G00008P	PROCESS TUBING ASSY (M3, M4)
NS	0210G00135	PROCESS TUBING ASSY (M1, M2)
NS	17788000083F	PVC CONDUIT 8.25"

Image 2:

32	0161G00001P	ACCESS FITTING BOX
42	B1373315	ACCESS FITTING (QTY 2)
52	0163G00000P	FASTEST FITTING NUT (QTY 2)
62	B9102097	CAP W/O-RING (QTY 2)

Expanded Model Nomenclature

M1 - GPH1324M41AA
M2 - GPH1330M41AA
M3 - GPH1336M41AA
M4 - GPH1342M41AA
M5 - GPH1348M41AA
M6 - GPH1360M41AA

Effective July 2008 (serial codes 0807), single phase units will no longer be factory shipped with horizontal duct covers. For downshot applications, contact your local Goodman distributor.

Tubing/Partition Panel/Compressor

Image 1

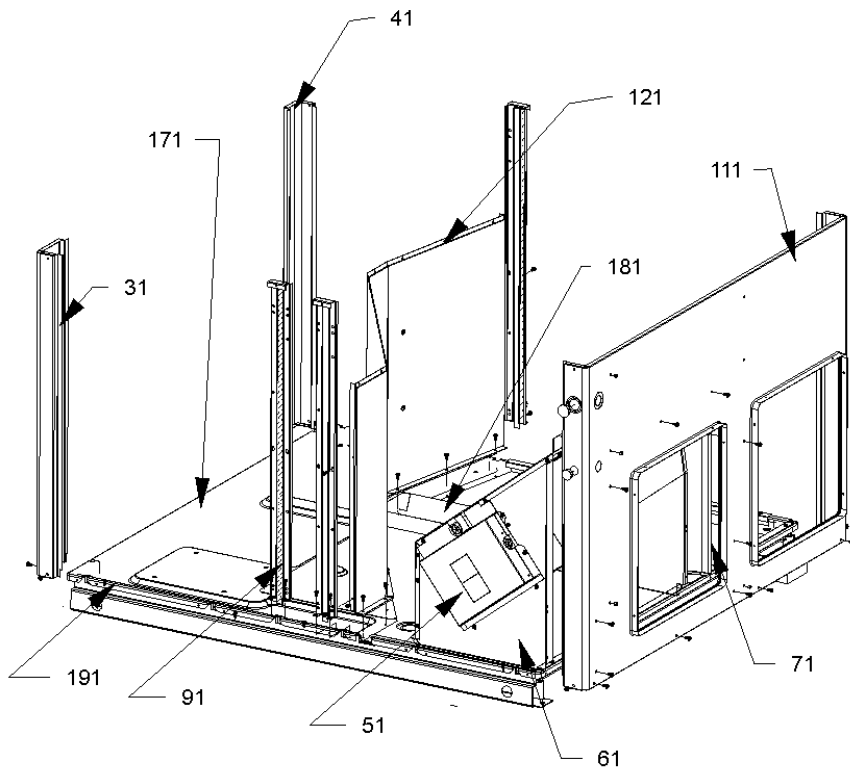
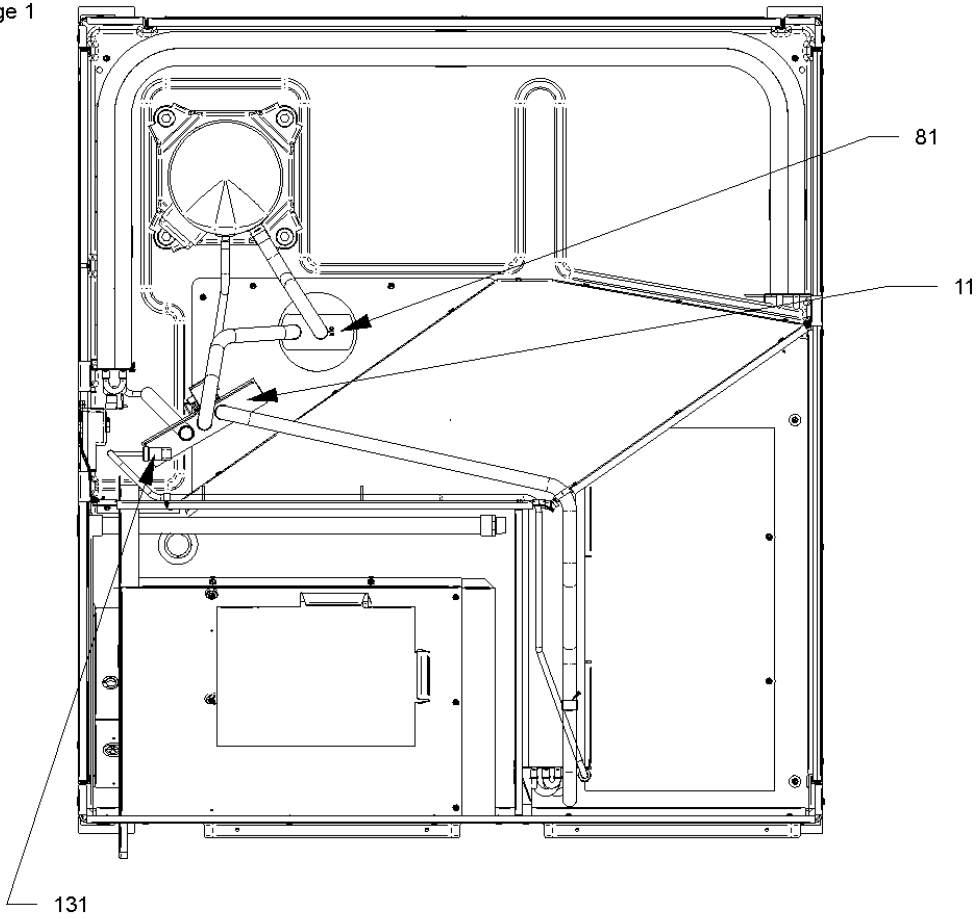
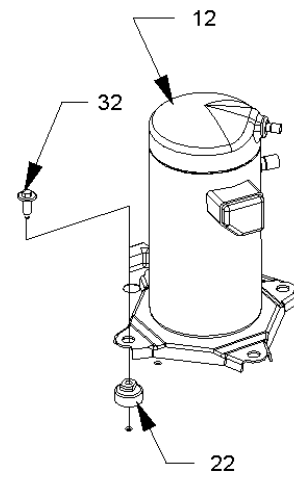


Image 2



Tubing/Partition Panel/Compressor

Ref. Part No: No:	Description:	Ref. Part No: No:	Description:
-------------------	--------------	-------------------	--------------

Image 1:

11	B1227316S	REVERSING VALVE (M1, M2)
11	B1227318S	REVERSING VALVE (M3, M4, M5, M6)
31	20464201PDGS	CORNER POST-COMP END 32" (M1, M2, M3, M4)
31	20464202PDGS	CORNER POST-COMP END 40" (M5, M6)
41	20464301PDGS	CORNER POST-HAIRPIN END 32" (M1, M2, M3, M4)
41	20464302PDGS	CORNER POST-HAIRPIN END 40" (M5, M6)
51	0121G00221	HEATER KIT COVER (M1, M2, M3, M4)
61	0221G00014	BLOWER TRANSITION ASSY
71	0121G00158	EVAP BLOCK-OFF 32.5" (M4)
71	0121G00159	EVAP BLOCK-OFF 40" (M5, M6)
81	B1226206	ACCUMULATOR (M1, M2)
81	B1226207	ACCUMULATOR .875 (M3, M4, M5, M6)
91	0121G00208	SUPPORT POST 32" (M1, M2, M3, M4)
91	0121G00209	SUPPORT POST 40" (M5, M6)
111	0260G00018PS	INSULATED ASSY, DUCT 32.5" (M1, M2, M3, M4)
111	0260G00019PS	INSULATED ASSY, DUCT 40" (M5, M6)
121	0260G00020PS	INSULATED ASSY, PARTITION PANEL 32" (M1, M2, M3, M4)
121	0260G00021PS	INSULATED ASSY, PARTITION PANEL 40 (M5, M6)
131	0230G00002	CUT-OUT SWITCH, LOW PRESSURE
171	0121G00289	BASE PAN
181	0260G00022PS	INSULATED ASSY, FAN SHROUD
181	0161G00003	PLASTIC DRIP PAN

Image 2:

12	ZP28K5EPFV130	COMP, 28000, 208/230/60/1 (M2)
12	ZP42K5EPFV130	COMP, 42000, 208/230/60/1 (M5)
12	ZP21K5EPFV830	COMP,21300,208/230/60/1 (M1)
12	ZP31K5EPFV830	COMPRESSOR 31100, 208/230/60/1 (M3)
12	ZP36K5EPFV830	COMPRESSOR 36200, 208/230/60/1 (M4)
12	ZP51K5EPFV830	COMPRESSOR 51000, 208/230/60/1 (M6)
22	B1339533	COMPRESSOR GROMMET (QTY 4)
32	M0221641	TF SHOULDER SCREW (M3, M5)
NS	20048211	COMPRESSOR HARNESS (M4, M5)
NS	0159G00002	COMPRESSOR SCROLL HARNESS (M1, M2, M3)
NS	0159G00005	COMPRESSOR SCROLL HARNESS (M6)

Expanded Model Nomenclature

M1 - GPH1324M41AA
M2 - GPH1330M41AA
M3 - GPH1336M41AA
M4 - GPH1342M41AA
M5 - GPH1348M41AA
M6 - GPH1360M41AA

Coil/Evap Assy

Image 1

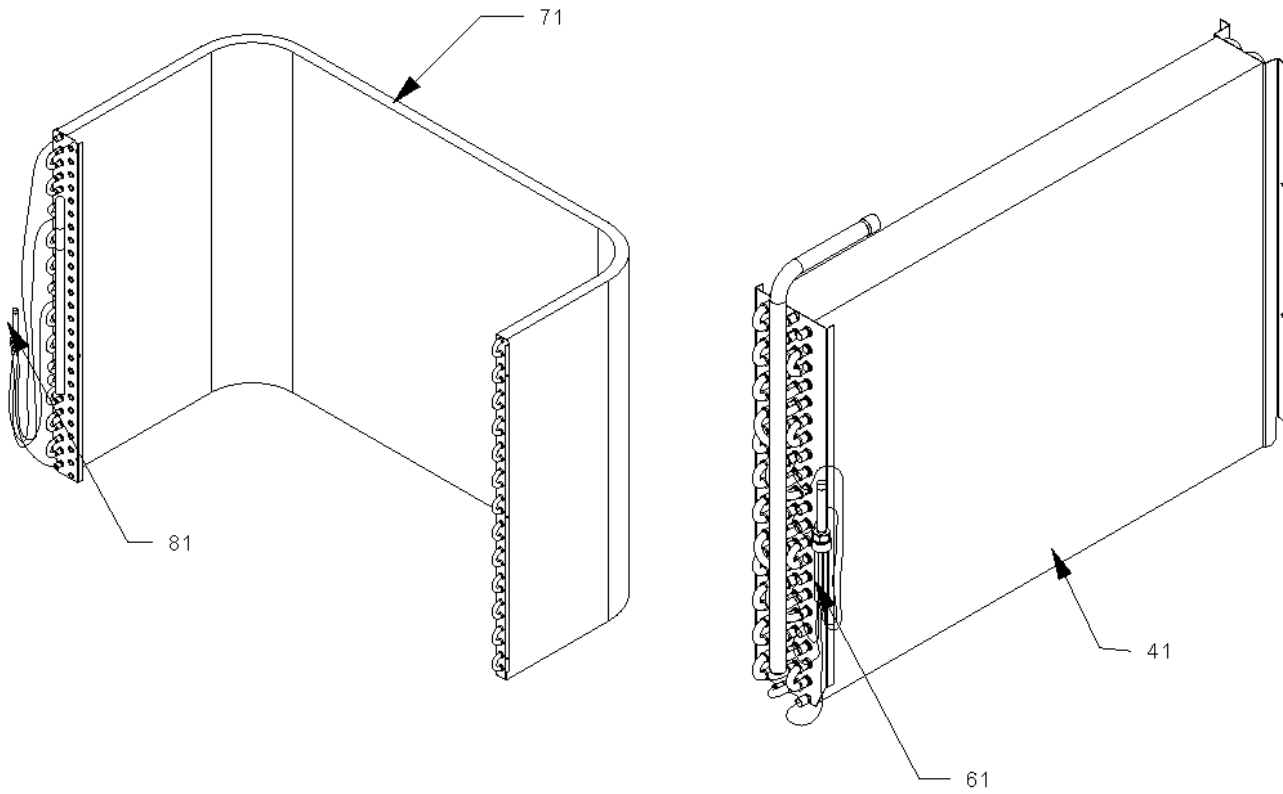
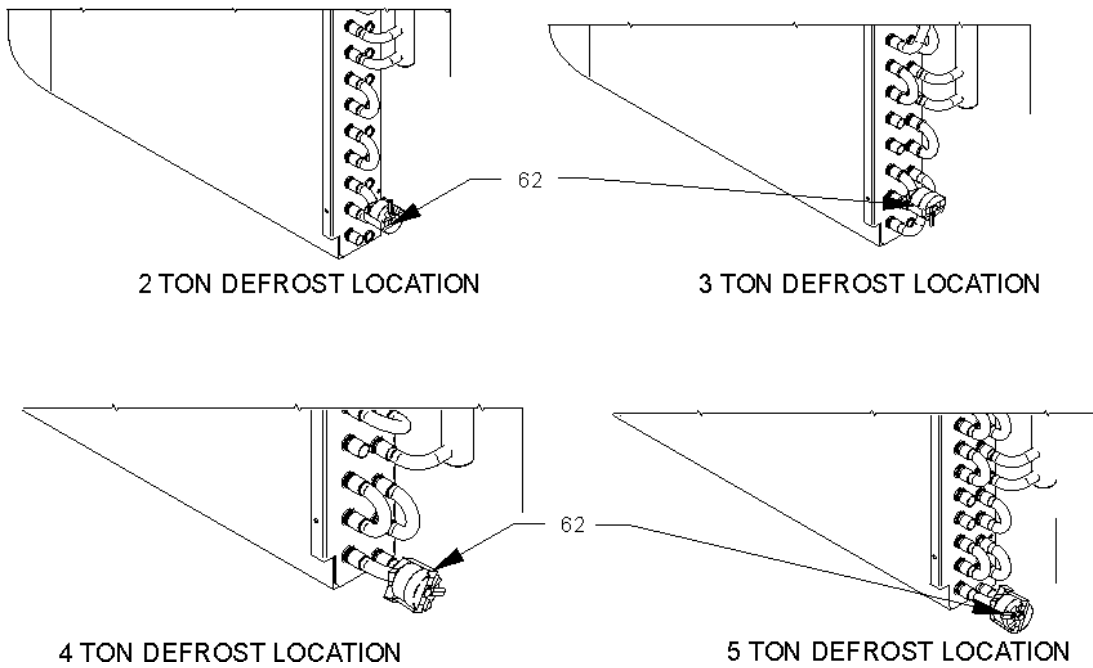


Image 2



Coil/Evap Assy

Ref. Part No:	Ref. Part No:	Description:	Description:
<i>Image 1:</i>			
41	0202G00322	TUBING ASSY, EVAP COIL (M1)	
41	0202G00324	TUBING ASSY, EVAP COIL (M3)	
41	0202G00326	TUBING ASSY, EVAP COIL (M5)	
41	0202G00327	TUBING ASSY, EVAP COIL (M2)	
41	0202G00328	TUBING ASSY, EVAP COIL (M4)	
41	0202G00329	TUBING ASSY, EVAP COIL (M6)	
61	0162M00132	FLOWRATOR .057 [EVAP] (M1)	
61	0162M00117	FLOWRATOR .070 [EVAP] (M2)	
61	0162M00139	FLOWRATOR .071 [EVAP] (M3)	
61	0162M00136	FLOWRATOR .072 [EVAP] (M4)	
71	0201G00174	TUBING ASSY, COND COIL (M1)	
71	0201G00175	TUBING ASSY, COND COIL (M4)	
71	0201G00176	TUBING ASSY, COND COIL (M3)	
71	0201G00177	TUBING ASSY, COND COIL (M5)	
71	0201G00180	TUBING ASSY, COND COIL (M2)	
71	0201G00181	TUBING ASSY, COND COIL (M6)	
81	0162M00131	FLOWRATOR .045 [COND] (M1)	
81	0162M00133	FLOWRATOR .055 [COND] (M2)	
81	0162M00138	FLOWRATOR .065 [COND] (M5)	
81	0162M00044	FLOWRATOR .076 [COND] (M6)	
81	0162M00137	FLOWRATOR.063 [COND] (M4)	
NS	20485201	BI-FLOW FILTER DRIER	
NS	0130M00018S	CUT-OUT SWITCH, HIGH PRESSURE	

<i>Image 2:</i>			
62	0130M00057	DEFROST THERMOSTAT (M1, M2)	
62	0130M00009P	DEFROST THERMOSTAT OPEN 60°, CLOSE 34° (M3, M4, M5, M6)	

Expanded Model Nomenclature

M1 - GPH1324M41AA
M2 - GPH1330M41AA
M3 - GPH1336M41AA
M4 - GPH1342M41AA
M5 - GPH1348M41AA
M6 - GPH1360M41AA

Control Panel/Blower Assy

Image 1

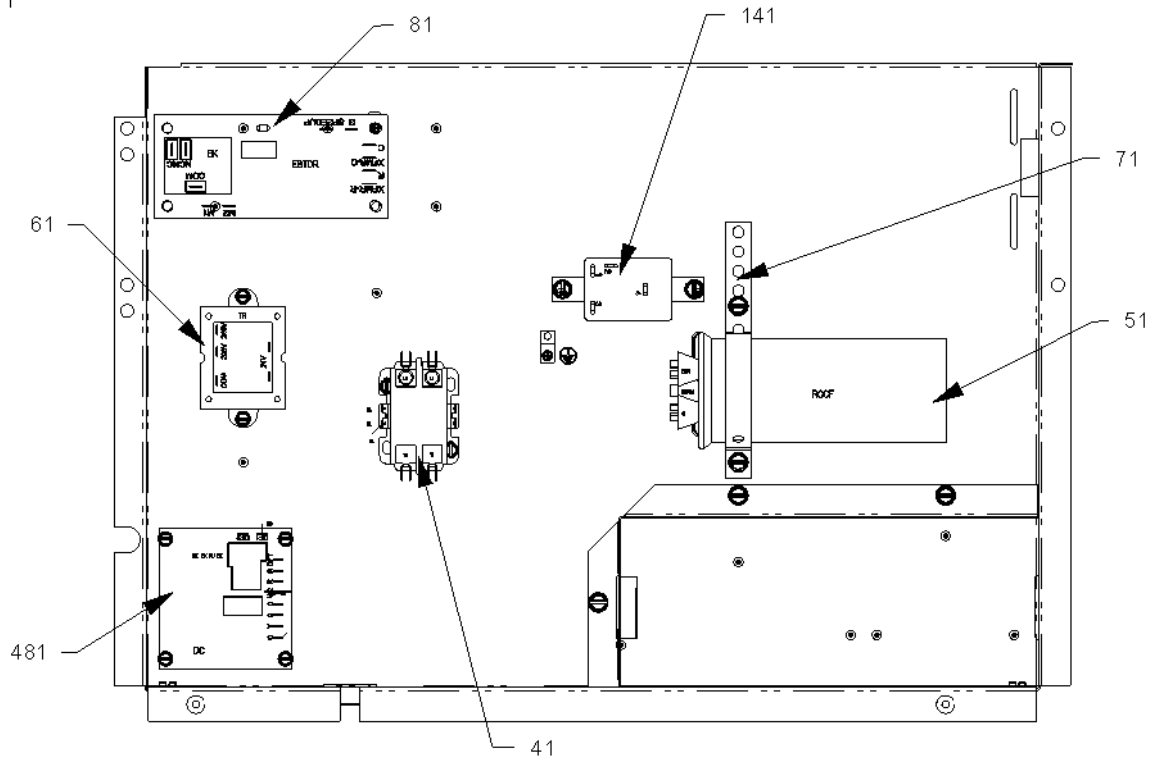
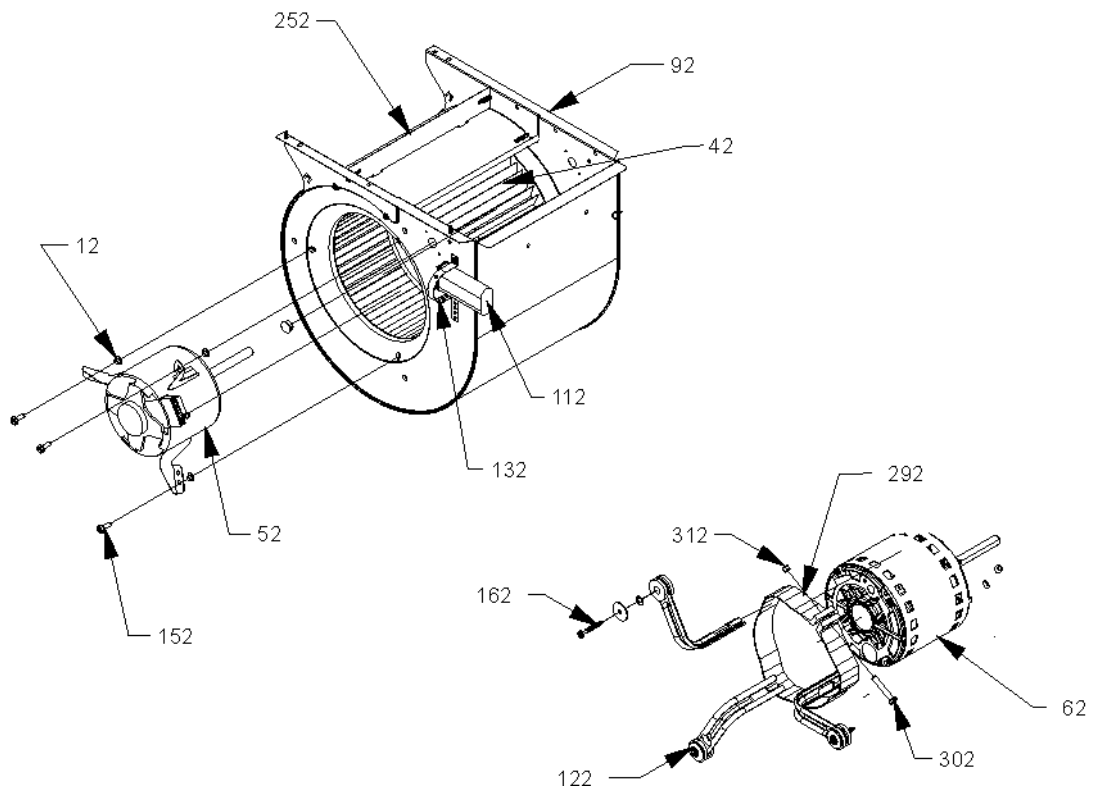


Image 2



Control Panel/Blower Assy

Ref. Part No:	Part No:	Description:	Ref. Part No:	Part No:	Description:
---------------	----------	--------------	---------------	----------	--------------

Image 1:

41	CONT2P025024VS	CONTACTOR 25 AMP, 2P, 24V (M3, M4)
41	CONT2P025024VS	CONTACTOR 25 AMP, 2P, 24V (M1, M2)
41	CONT2P040024VS	CONTACTOR 40 AMP, 2P, 24V (M5, M6)
51	CAP050450440RTS	CAP, 5/45 MFD/440V/DUAL RD (M3, M4)
51	CAP050400440RTS	CAPACITOR 5/40/440V (M1)
51	CAP050450440RTS	CAPACITOR 5/45/440V (M2)
51	CAP050700440RTS	CAPACITOR 5/70 MFD/440V/DUAL RD (M5, M6)
61	B1141643	TRANSFORMER 208/230, 24V
71	20520901	CAPACITOR STRAP (M3, M4, M5, M6)
81	PCBFM131	BOARD, ELECTRONIC BLOWER TIME DELAY RELAY (M1, M2, M3, M4)
91	20520901	STRAP-CAPACITOR (M1, M2)
141	0130M00014	240 VOLT RELAY (M1, M2, M3, M4)
481	PCBDM130	DEFROST CONTROL BOARD
NS	0259G00065	BLOWER HARNESS (M5, M6)
NS	B821700	CAPACITOR BOOT (M1, M2, M3, M4)
NS	0259G00094	WIRE HARN-ELECT HEAT (M1, M2, M3, M4)
NS	0259G00070	WIRE HARNESS, ELECTRIC HEAT (M5, M6)

Image 2:

12	B1392143	GROMMET, 26TAL F/TORSIN FLEX (M1, M2, M3, M4)
42	D6723303S	BLOWER WHEEL
52	0131M00062	BLOWER MOTOR 1/3 HP, 3 SP, 6 PL (M2)
52	11091203S	BLOWER MOTOR 1/3 HP, 3 SP, 6 PL (M3, M4)
52	11091207S	BLOWER MOTOR 1/4 HP, 3 SP, 8 PL (M1)
62	0231K00044	BLOWER MOTOR 1 HP PROGRAMMED X13 (M6)
62	0231K00043	BLOWER MOTOR 3/4 HP PROGRAMMED X13 (M5)
92	0271G00024S	BLOWER HOUSING ASSY 10 X 9
112	CAP100000370VAS	CAPACITOR 10/370V [BLOWER] (M1, M2, M3, M4)
122	B1376857	MOTOR MOUNT ARM (M5, M6)
132	20520901	CAPACITOR STRAP (M1, M2, M3, M4)
152	M0250558	TC SCREW (M1, M2, M3, M4)
152	M0250565	TC SCREW 1.25" (M5, M6)
252	764742	BLOWER BLOCK-OFF
292	0121M00038	MOTOR MOUNT BAND (M5, M6)
302	B1393323	MACHINE SCREW HWH 1/4-20 X 1-1/2 BZ (M5, M6)
312	B1393800	LOCKNUT, NYLON, INSERT 1/4, 20 (M5, M6)

Expanded Model Nomenclature

M1 - GPH1324M41AA
M2 - GPH1330M41AA
M3 - GPH1336M41AA
M4 - GPH1342M41AA
M5 - GPH1348M41AA
M6 - GPH1360M41AA